



USA DANCE FLOOR

**62.5amp.**  
**DMX512 Power Supply**  
For RGB with STARS  
**OWNER'S MANUAL**

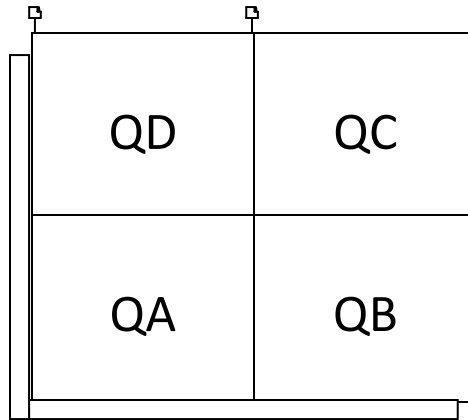




## 62.5amp. DMX512 Power Supply Instructions

The DMX512 Power Supply for RGB with Stars turns the USA Dance Floor ARCH dance floor system into a nine channel DMX light fixture that may be controlled by any DMX controller with nine or more channels. The unit can power up to 42 floor panels. Unless otherwise requested, this unit is shipped from the factory with the DMX channels programmed to start at channel one.

**All floor panels are identical. Each panel is 4 feet by 4 feet and has four illuminating quadrants:**



Channels 1 thru 3 controls the RGB of quadrants A and C  
(CH1=Red, CH2=Green, CH3=Blue)

Channels 4 thru 6 controls the RGB of quadrants B and D  
(CH4=Red, CH5=Green, CH6=Blue)

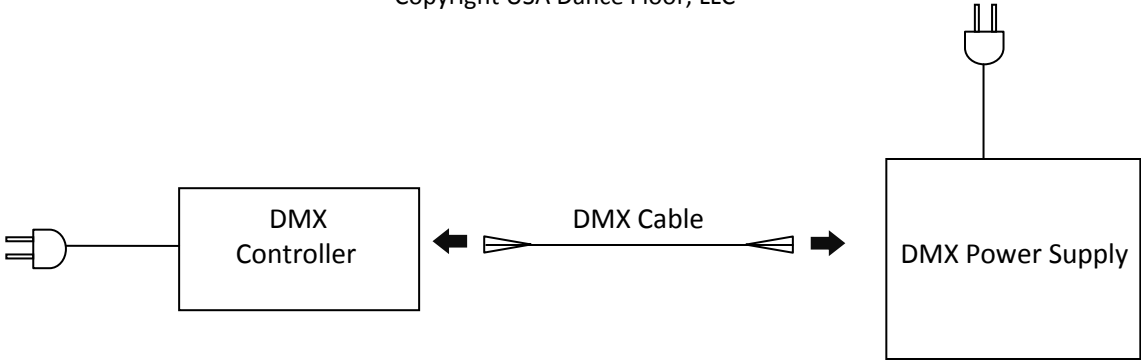
Channels 7 thru 9 controls the Stars  
(CH7=Star CH-1, CH8= Star CH-2, CH9= Star CH-3)

**NOTE:**

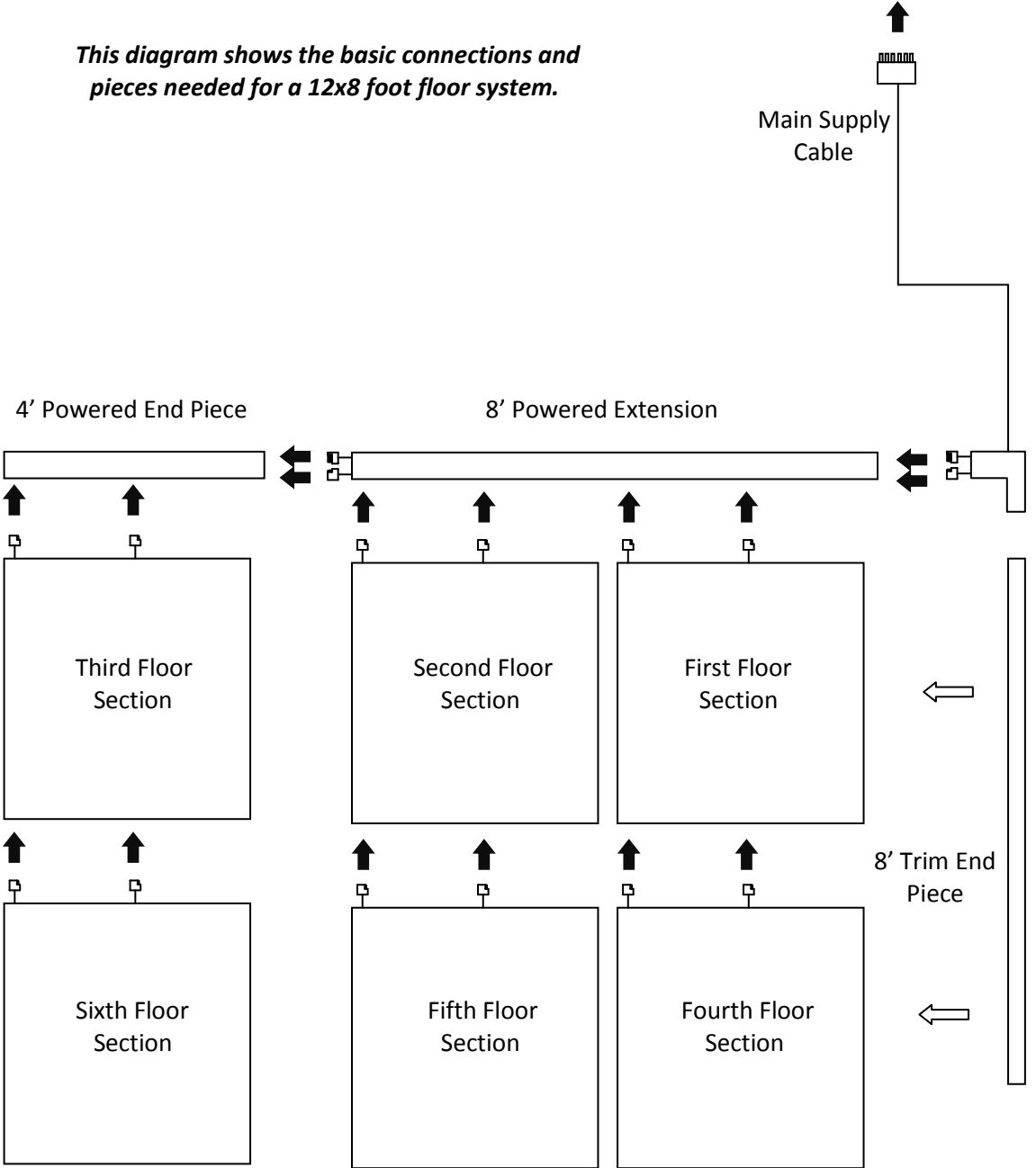
*There are a total of 27 stars per panel divided into three DMX channels consisting of nine LED's stars per channel.*

# Basic DMX Connections

The ARCH Portable Lighted Dance Floor System  
Copyright USA Dance Floor, LLC

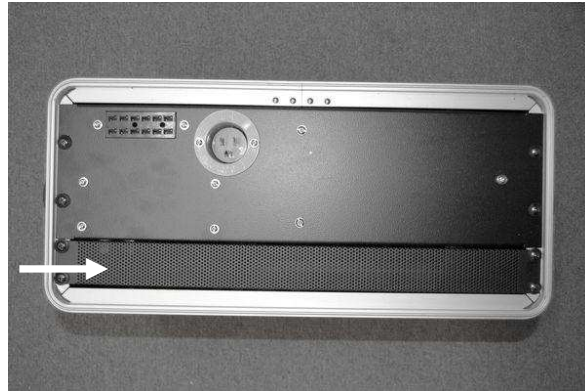


*This diagram shows the basic connections and pieces needed for a 12x8 foot floor system.*

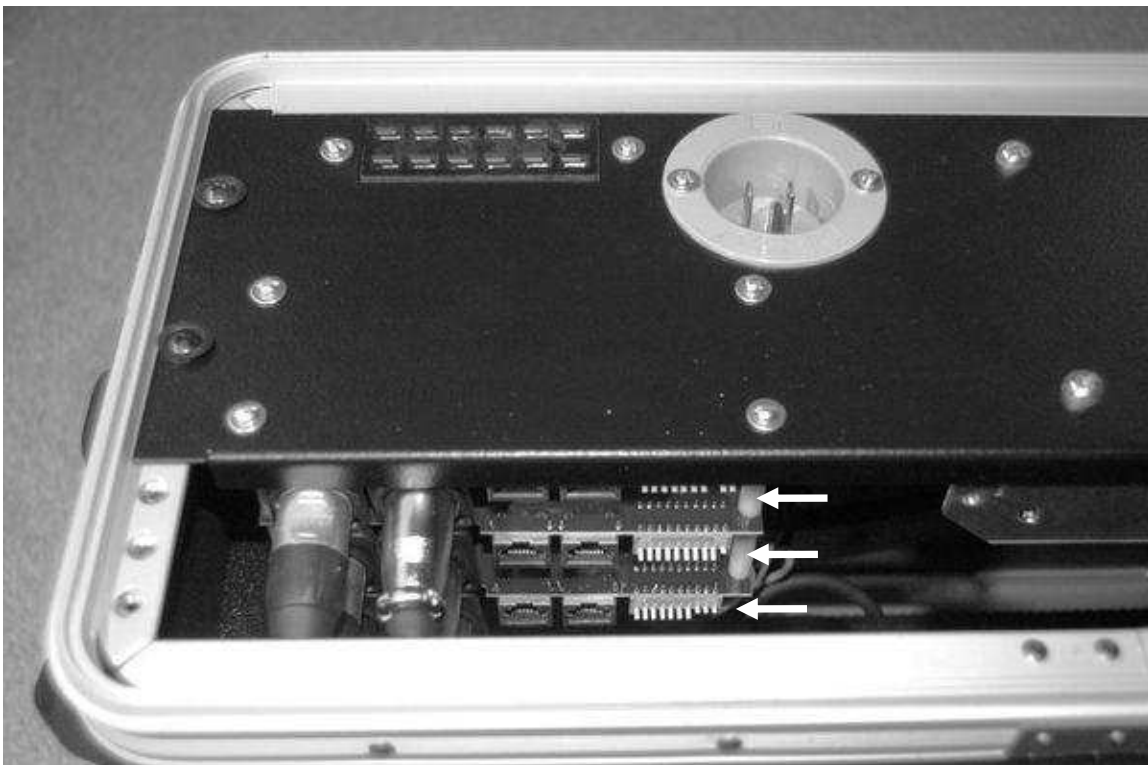


## Programming the DMX channels

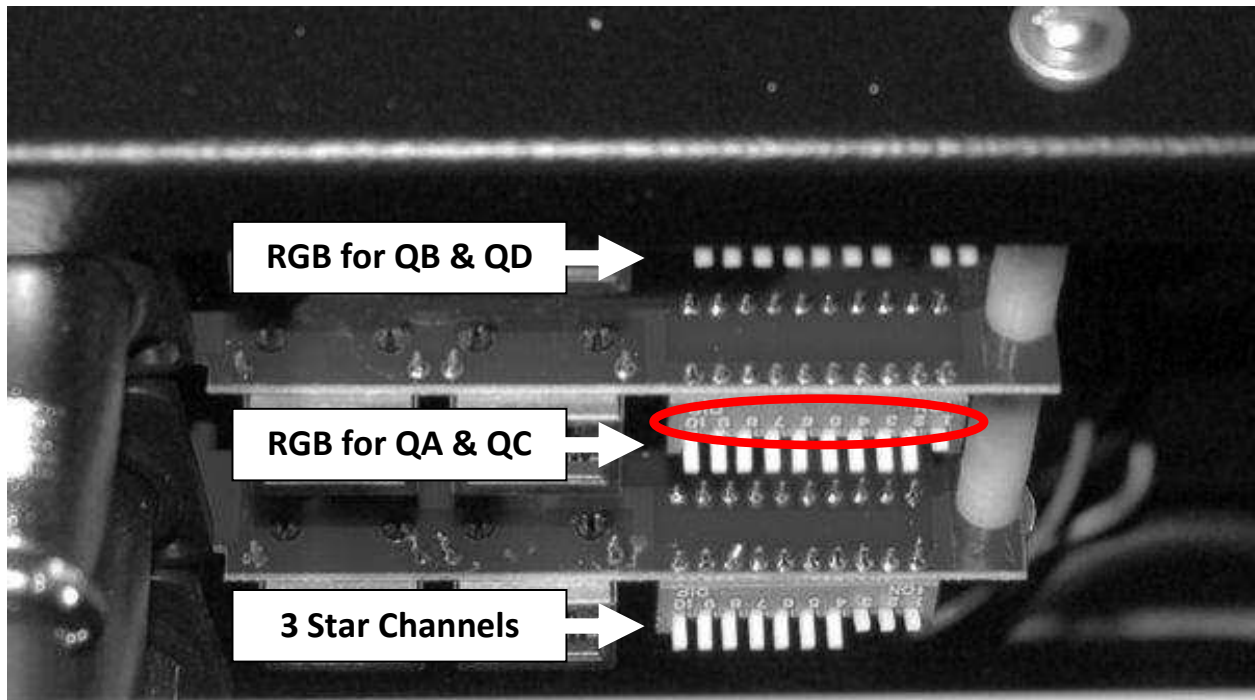
While the dance floor may be controlled by almost any DMX controller with nine or more channels, the controlling channels can be changed or reprogrammed by way of internal dipswitches. To access these switches simply remove the rack-mounted vent plate from the side with the AC inlet.



Once the vent plate is removed you will see behind that there are three sets of dipswitches as pointed out below.



The dipswitches below are shown upside-down so switch #1 starts on your right-hand side. You can see the switch numbers highlighted in the red circled area.



Each set of dipswitches program a 3 (three) channel DMX decoder. The lower pictured decoder sets the starting channel for the star-field (These switches normally start at channel #7 as shown above)

The center decoder sets the starting RGB channel that controls quadrants A and C. (These switches normally start at channel #1 as shown above)

The upper pictured decoder controls the second set of RGB channels. This controls quadrants B and D. (These switches normally start at channel #4 as shown above)

# Power Specifications

## **POWER INPUT:**

**Voltage range:** 90 – 264VAC

**Frequency range:** 47 -63Hz

## **POWER OUTPUT (to the floor panels):**

**Voltage output:** 12VDC

**Current range:** 0 – 62.5amps.

**Rated power:** 750 watts

**Line & Load regulation:** 0.5%