

USA Dance Floor Dimensions

Figure 1 below shows the exact dimensions of a single 4x4 foot dance floor panel. Note that the dance surface is 48 inches square and that there is a rim protruding one inch along two edges.

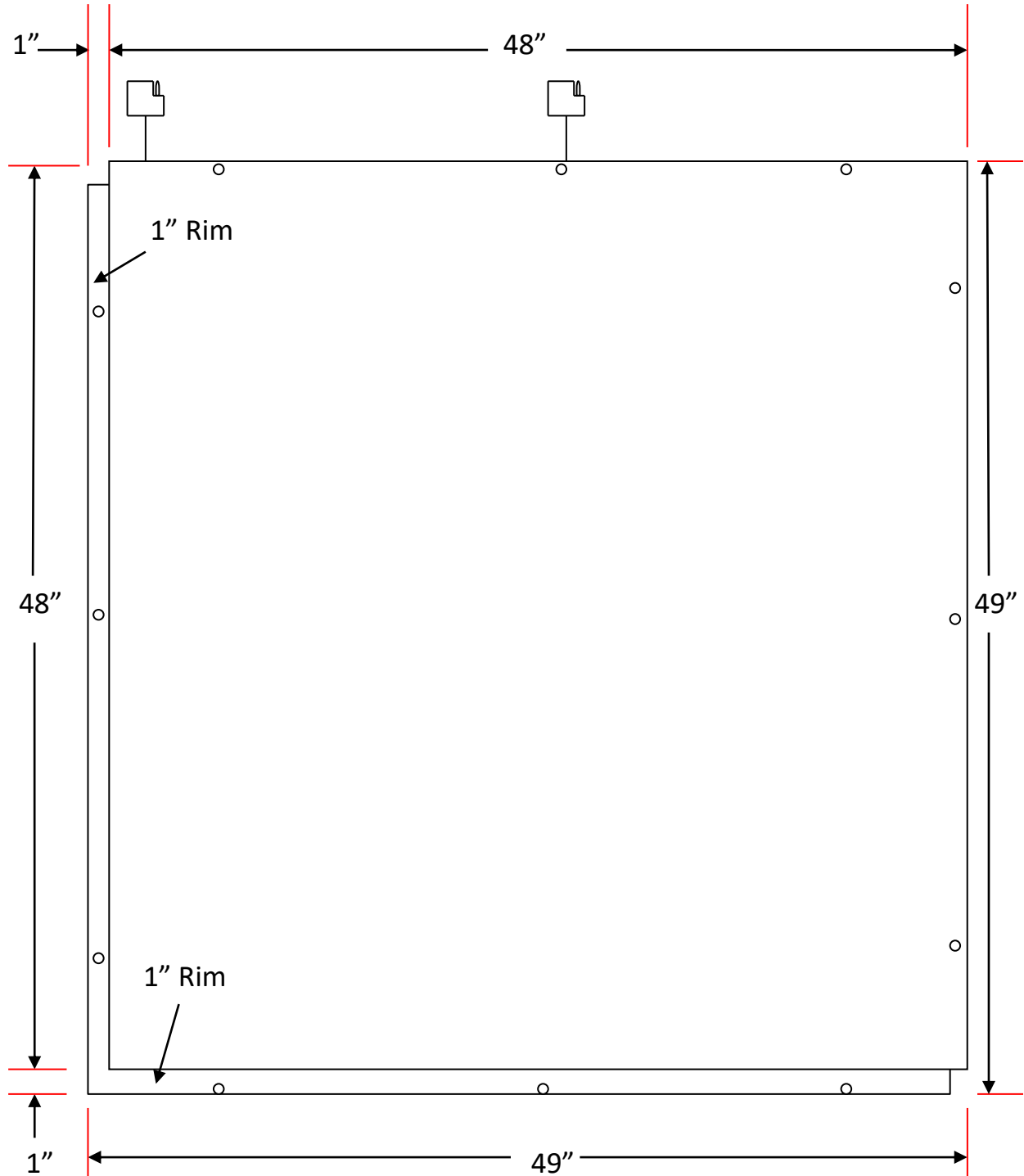
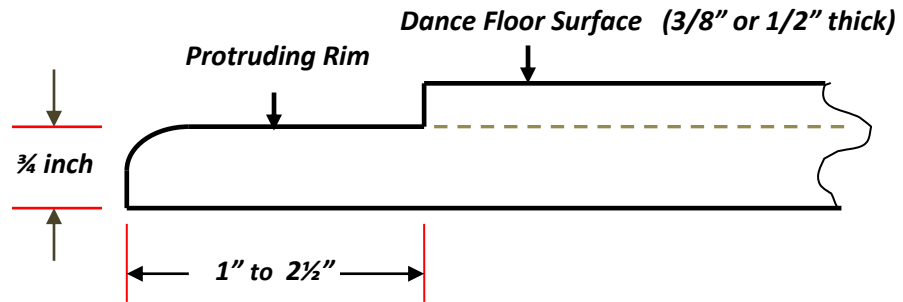


Figure 2 below shows a cutaway side view of the of the dance floor. The protruding rim is only $\frac{3}{4}$ of an inch high and is rounded at the top. The length of the rim protrusion is only on inch on a floor panel. However the rim protrusion length is greater at the other edges once the trim pieces are assembled (see figure 3).



The floor may be setup plain as shown above or with optional trip-proof beveled edging as shown below. The beveled edging adds a 7 and 3/8 inch rim.

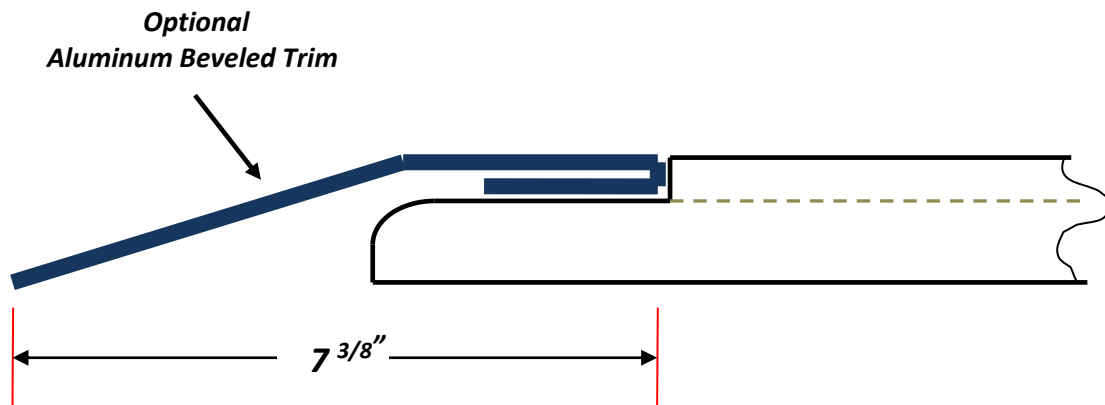


Figure 3 below shows the various outside rim sizes of an assembled dance floor panel. The length of the rim is only one inch wide along the two dance floor panel edges. Along the edge with non-powered trim the rim is 1.5 inches wide and it is 2.5 inches wide along the edge with the power trim.

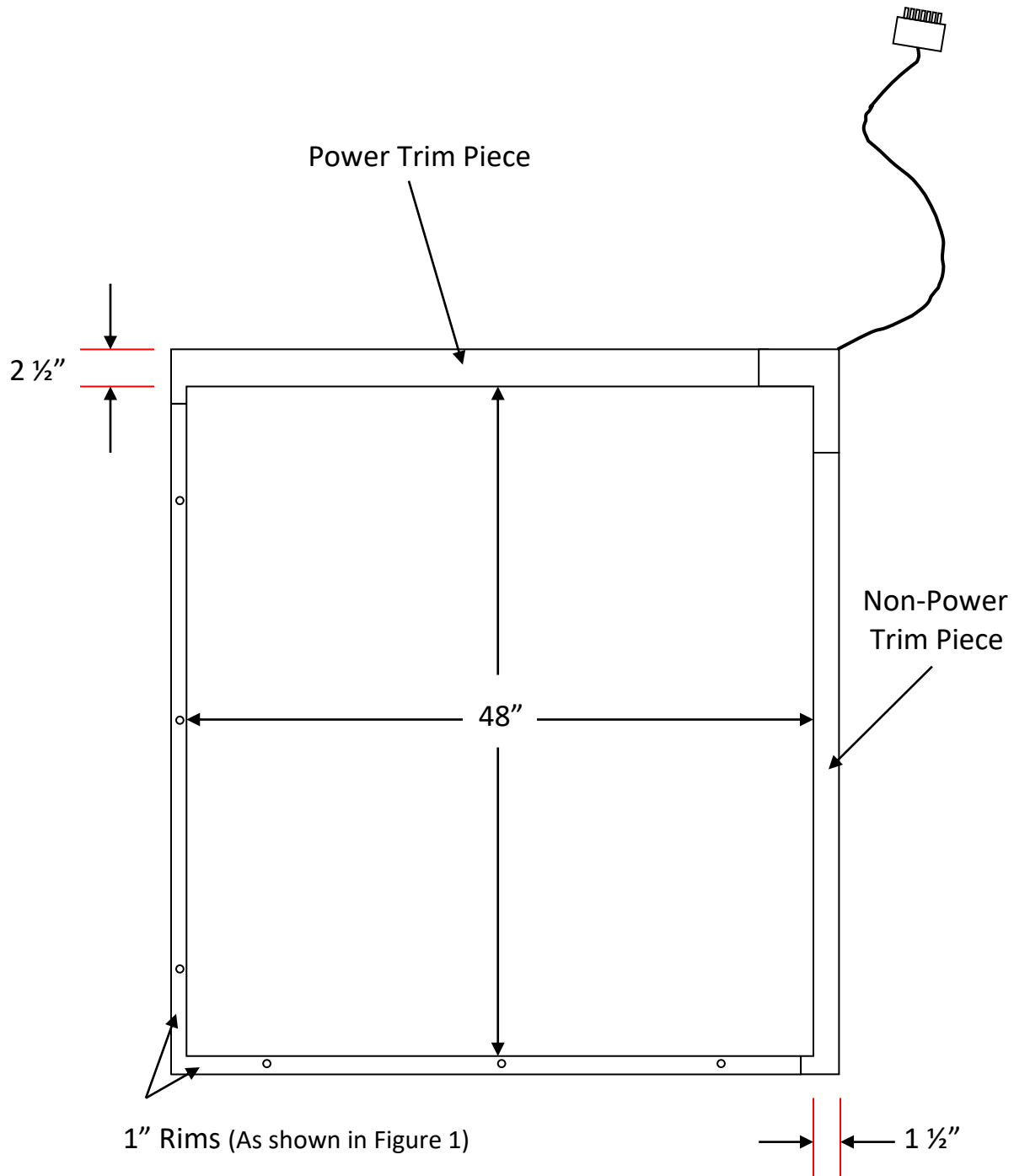


Figure 4 below shows the overall dimensions of a 16' x 16' dance floor. The various lengths of each rim are pointed out. The dotted lines represent the footprint for the optional beveled edging.

